



PRODUCT DATA SHEET

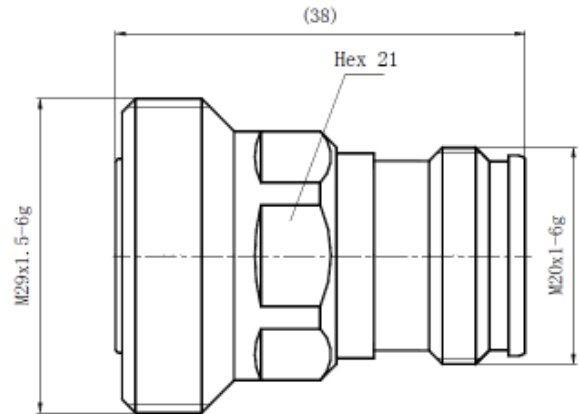
Adapter: 4.3-10/DIN-50FF

Description

4.3-10 Female to DIN Female Adapter

Suitable standard

IEC 61169-54, 61169-4



MATERIALS & PLATING

	Description	Material	Surface Plating	Remark
1	Body	BRASS	Tri-Alloy	
2	Center Conductor	Phosphor bronze	Ag	
3	Insulator	PTFE	-	

ELECTRICAL CHARACTERISTICS

	Item	Technical Data
1	Frequency Range	DC-6GHz
2	VSWR	≤1.1
3	Insertion loss (3G)	≤0.05dB
4	Impedance	50Ω
4	Dielectric Withstanding Voltage	≤ 2500V (RMS), 50Hz at sea level
5	Insulation Resistance	≥ 5000MΩ
6	PIM	≤ -163dBc@2x43dBm

MECHANICAL CHARACTERISTICS

1	Durability	≥ 100 cycles
---	------------	--------------

ENVIRONMENTAL CHARACTERISTICS

1	Temperature range	- 40°C to +85 °C
2	ROHS-compliance	Full ROHS compliance
3	Salt-fog test	96h