



PRODUCT DATA SHEET

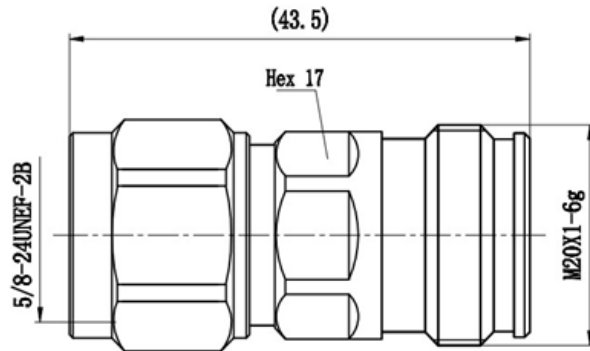
Adapter: 4.3-10/N-50FM

Description

4.3-10 Female to N Male Adapter

Suitable standard

IEC 61169-54, 61169-16



MATERIALS & PLATING

	Description	Material	Surface Plating	Remark
1	Body	BRASS	Tri-Alloy	
2	Center Conductor	Phosphor bronze	Ag	
3	Insulator	PTFE	-	

ELECTRICAL CHARACTERISTICS

	Item	Technical Data
1	Frequency Range	DC-6GHz
2	VSWR	≤ 1.1
3	Insertion loss	≤ 0.1dB
4	Impedance	50Ω
5	Dielectric Withstanding Voltage	≤ 2500V (RMS), 50Hz at sea level
6	Contact Resistance	Outer Contact ≤ 1mΩ, Center Contact ≤ 1mΩ
7	Insulation Resistance	≥ 5000MΩ
8	PIM3	≤ -160dBc@2x43dBm

MECHANICAL CHARACTERISTICS

1	Durability	≥ 100 cycles
---	------------	--------------

ENVIRONMENTAL CHARACTERISTICS

1	Temperature range	- 40°C to +85 °C
---	-------------------	------------------