



# PRODUCT DATA SHEET

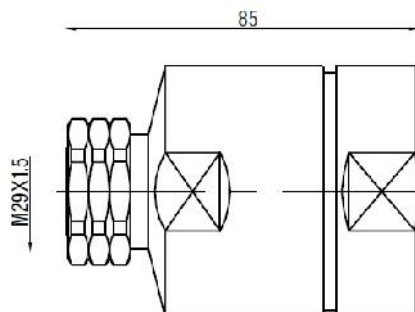
## Coaxial Cable Connector: 7/16-J1<sup>5/8</sup>-1

### Description

DIN(M) Connector For 1-5/8" Cable

### Suitable standard

IEC 60169-4



### MATERIALS & PLATING

	Description	Material	Surface Plating	Remark
1	Shell/Body	BRASS	Ag or Tri Allory	
2	Centre Conductor	BRASS	Gold or Silver	
3	Insulator	PTFE		
4	Coupling nut	BRASS	Nickel	

### ELECTRICAL CHARACTERISTICS

	Item	Technical Data
1	Impedance	50Ω
2	Frequency range max	DC-3GHz
3	Dielectric Withstanding Voltage	≥ 4000V (RMS), 50Hz, at sea level
4	Contact Resistance	Center conductor ≤ 1mΩ, Outer conductor ≤ 0.4mΩ
5	Insulation Resistance	≥ 10GΩ
6	VSWR	DC~3GHz ≤ 1.08
7	3rd Order IMD	≤ -107dBm

### MECHANICAL CHARACTERISTICS

1	Durability	≥ 500 cycles
---	------------	--------------

### ENVIRONMENTAL CHARACTERISTICS

1	Temperature range	Cable: - 40°C to +85 °C
2	Water-Proofing	IP68