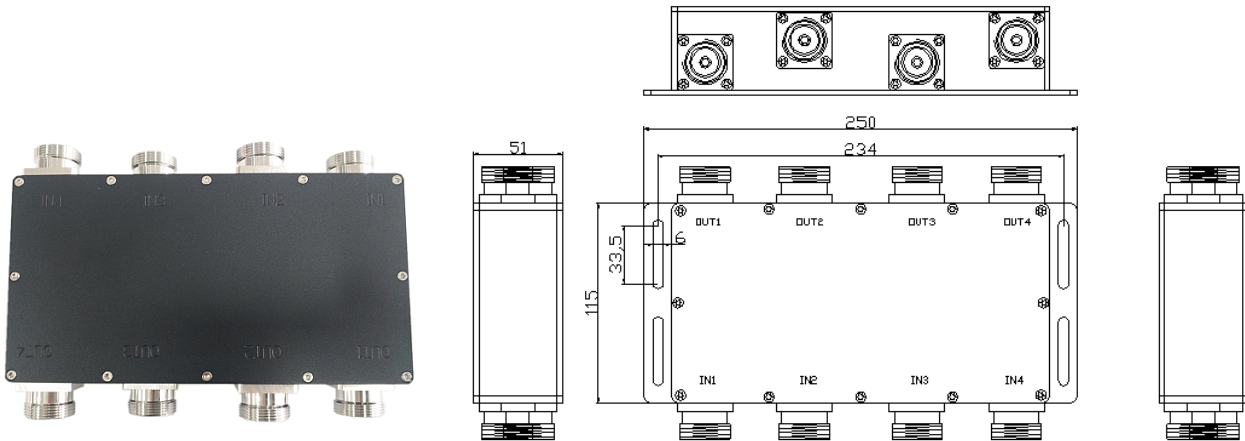




Sunny 698-3800MHz -155dBc 800W 4x4 Hybrid Combiner

Model : SUN-4x4-638-800-DF



Model	SUN-4x4-638-800-DF
Electrical specifications	
Frequency Range	698-3800MHz
Coupling	6.1 dB
Insertion Loss for all Ports	6.1±1.5 dB
Isolation between Ports	≥23 dB
VSWR	≤1.30
Maximum Input Power	≤800W (200W per input port)
Passive Intermodulation (PIM@2x43dBm)	≤-155 dBc
Impedance	50 Ω
Mechanical specifications	
Application	Indoor & Outdoor, IP65
RF Connector	DIN(F)
Operating Temperature	-30 ~ +65 °C
Relativr Humidity	5 ~ 95 %
Dimensions L x W x H	115x250x51 (not included with connectors)
Net Weight	2.90 kg

Technical data are subjected to change without notice – File : SUN-4x4-638-800-DF 2018V1.0