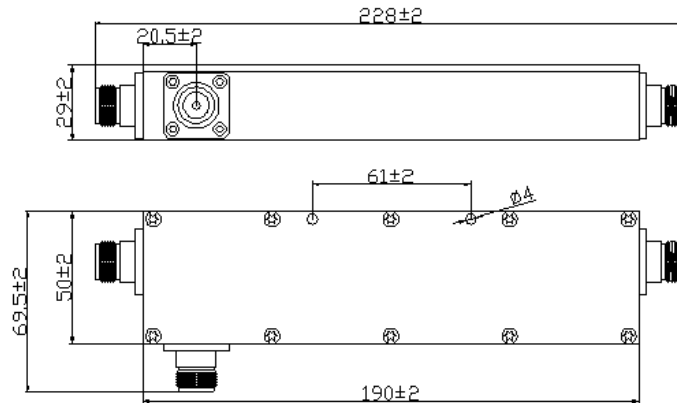




## **Sunny 340-2700MHz Low PIM Wide Band Directional Coupler**

**Model: SUN-DC-327-300-YY-NF**

Where YY is 5, 6, 7, 10, 15, 20, 30, 40dB



Model	SUN-DC-327-300-YY-NF							
Frequency (MHz)	340-2700							
Coupling (dB)	5±1.2	6±1.3	7±1.3	10±1.6	15±1.7	20±1.7	30±1.8	40±2.2
Insertion Loss (dB)	≤2.3	≤1.85	≤1.55	≤0.9	≤0.5	≤0.4	≤0.35	≤0.30
Isolation (dB)	≥20	≥22	≥23	≥26	≥30	≥32	≥42	≥50
VSWR	≤1.35							
3rd Order Intermodulation (dBc@2x43dBm)	≤-155							
Average Power (W)	300							
RF Connector	N(F)							
Impedance (Ω)	50							
Relative Humidity (%)	5 ~ 95							
Temperature (°C)	-30 ~ +75							
Environment	IP60							
Dimension (mm)	190x50x29*							
Housing Material	Aluminum							
Color	Black							

\* Not included connectors

Technical data are subjected to change without notice – File : SUN-DC-327-300-YY-NF datasheet 2019V1.0