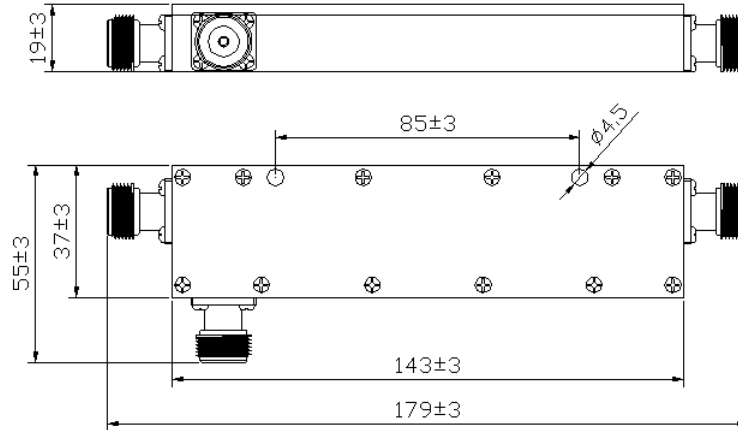




Sunny Directional Coupler for 350-520MHz, 200W, N(F)

Model : SUN-DC-35-200-YY-N(F)

Where YY is Coupling value(dB) – 6, 10, 12, 15, 20 or 30



Model	SUN-DC-35-200-YY-N(F)					
Frequency(MHz)	350-520MHz					
Coupling (dB)	6±1.3	10±1.5	12±1.6	15±1.6	20±1.8	30±2
Insertion Loss (dB)	≤1.6	≤0.8	≤0.7	≤0.4	≤0.3	≤0.3
Isolation (dB)	≥20					
VSWR	≤1.25					
Power Capacity(W)	200					
RF Connector	N-female					
Impedance (Ω)	50					
Operating Temperature (°C)	-40 ~ +80					
Color	Black-plated					
Application	Indoor or Outdoor IP65**					
Size* (mm)	143x37x19					
Weight (kg)	0.3					

* Excluded connectors

** The outdoor model number is SUN-DC-35-200-YY-N(F)-WP

Technical data are subjected to change without notice – File : SUN-DC-35-200-YY-N(F) datasheet 2021V1.0