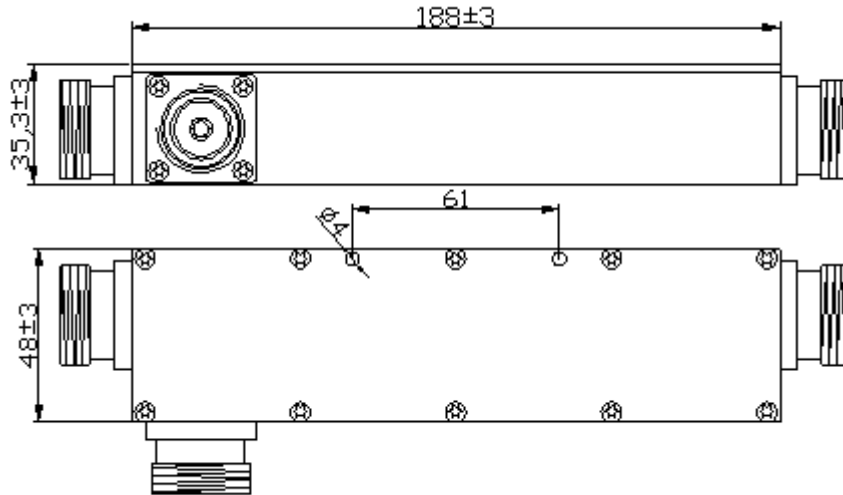




## **Outdoor Directional Coupler for 340-520MHz, 500W, DIN(F)**

**Model: SUN-DC-35-500-YY-DF**

where YY is 5, 6, 7, 10, 15, 20, 30 or 40dB



Model	SUN-DC-35-500-YY-DF							
Frequency (MHz)	340-520							
Coupling (dB)	5±1.2	6±1.3	7±1.3	10±1.6	15±1.7	20±1.7	30±1.8	40±2.2
Insertion Loss (dB)	≤2.3	≤1.85	≤1.55	≤0.9	≤0.5	≤0.4	≤0.35	≤0.3
Isolation (dB)	≥20	≥22	≥23	≥26	≥30	≥32	≥42	≥50
VSWR	≤1.35							
Average Power (W)	500							
RF Connector	DIN(F)							
Impedance (Ω)	50							
Temperature (°C)	-30 ~ +75							
Relative Humidity (%)	5 ~ 95							
Environment	Outdoor, IP65							
Dimension *(mm)	188x48x35.3							
Housing Material	Aluminum							
Color	Black							
Weight (kg)	TBAL							

\* Excluded connectors

Technical data are subjected to change without notice – File : SUN-DC-35-500-YY-DF datasheet 2020V1.0