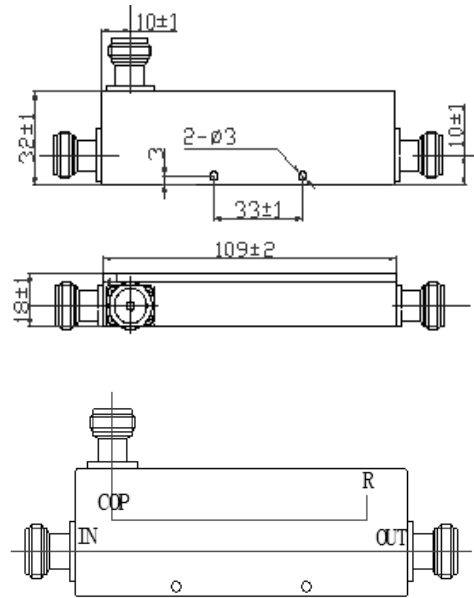




Sunny -160dBc Low PIM Directional Coupler 698-2700MHz, 300W, N(F), Indoor

Model : SUN-DC-627-300-XX-NF-160

Where XX is Coupling value – 5,6,7,8,10,15, 20



IN→OUT : DC PASS
 IN→COP : NON-DC PASS
 OUT→COP : NON-DC PASS

Model	SUN-DC-627-300-XX-NF-160					
Frequency Range (MHz)	698-2700MHz					
Coupling (dB)	5	6	7	10	15	20
Insertion Loss (dB)	≤2.05	≤1.76	≤1.47	≤0.96	≤0.44	≤0.34
Accuracy (dB)	±0.8	±0.8	±0.8	±0.8	±1.0	±1.0
Isolation (dB)	≥25	≥26	≥27	≥30	≥35	≥40
Power Rating (W)	300					
Peak Power (W)	1200					
VSWR	≤ 1.25					
Impedance (Ohm)	50					
PIM (dBc@2X43dBm)	≤-160					
Temperature (°C)	-40 ~ +80					
Environment	Indoor					
RF Connector	N(F)					
Body Material	Aluminum					
Connector Material	Brass					
Weight (kg)	0.16±0.02			0.17±0.02		
Dimensions LxWxH* (mm)	109x32x18					
Color	Black					

* Excluded Connectors

Technical data are subjected to change without notice – File : SUN-DC-627-300-XX-NF-160 2020V1.0