



SUNNY FM Series - FM Line Amplifier

Model : SUN-FM-LA-P

Where P is 37, 40 or 43dBm

- Support FM frequency 87.5MHz to 108MHz
- Maximum 43dBm Output Power
- Maximum 45dB Gain
- ALC Control
- Simply Plug and Play design

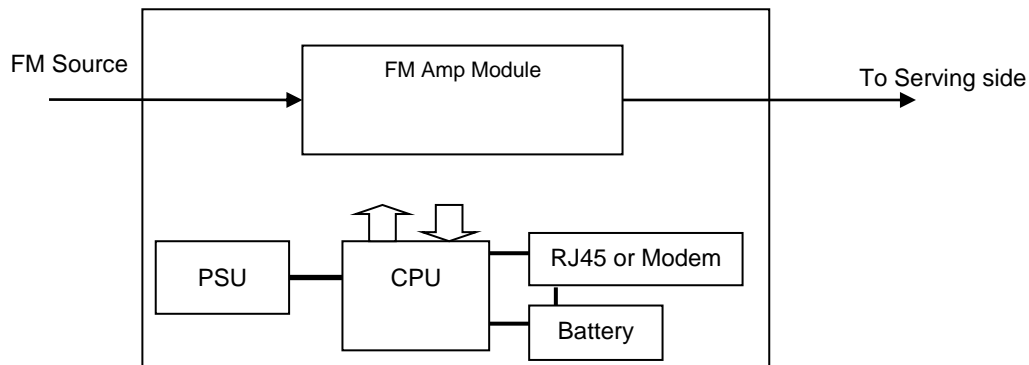


Wall mount



Rack mount

Block diagram:



Specifications

Frequency Range	87.5–108
Output Power	37±1.5dBm 40±1.5dBm 43±1.5dBm
Gain	45dB±3dB
Maximum Input	≤0dBm
Input Sensitivity	≥ -45dBm
Gain Adjustable Range	≥20dB@1dB per step
Frequency Error	≤±1kHz
Frequency Deviation	≤±2.5kHz
Intermodulation	≤-45dBc
Noise Figure	≤5dB
Transmission Delay	≤1μS
ALC	ΔPo≤±1 dBm
VSWR	≤1.5
Remote Control	Remote control/monitor/alarm by 1) RS232 (default) 2) RF Modem (Option SUN-FM-RFM) Ethernet (Option SUN-FM-ETH)
Alarm items	No AC Power, Module Failure, VSWR, Over Temperature, Downlink Over RF Power Downlink Low RF Power, Door Open (not for Rack mount)



Power Supply and Mechanical Specifications

RF connector	N-Female connector/50Ω
Local LED	Power – GREEN, Alarm - RED
Power Supply	220VAC 45-60Hz
Dimension	550x440x235mm (wall mount) OR 4U, 19" rack mount, 500mm depth (option: SUN-FM-RACK)
Weight	N.W.33.5kg, G.W.36kg
Max. Power Consumption	≤300W
Heat Dissipation	≤260W
Operating Temperature	-25 to +55°C
Operating Humidity	≤95%
Cabinet Environment Rating	IP65 for wall mount, IP20 for rack mount
MTBF	≥50000 hours

Ordering information:

Model : SUN-FM-LA-P	select maximum output power (P in dBm): 43, 40, 37
Options	<u>SUN-FM-RACK</u> : Rack mount cabinet <u>SUN-FM-RFM</u> : Remote control by RF Modem (SMS) ¹ <u>SUN-FM-ETH</u> : Remote control by Ethernet ¹ <u>SUN-OMS</u> : Sunny Remote Control Software (Network management software) ¹ need to order together with main unit ¹ order either option only

Technical data are subjected to change without notice – File: SUN-FM-LA-P datasheet 2021V1.0