



## SUNNY FM Series - FM RF Repeater

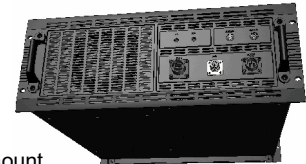
### Model : SUN-FM-RP-P

Where P is 37, 40 or 43dBm

- Support FM frequency 87.5MHz to 108MHz
- Maximum 43dBm Output Power
- Maximum 90dB Gain
- ALC Control
- Simply Plug and Play design

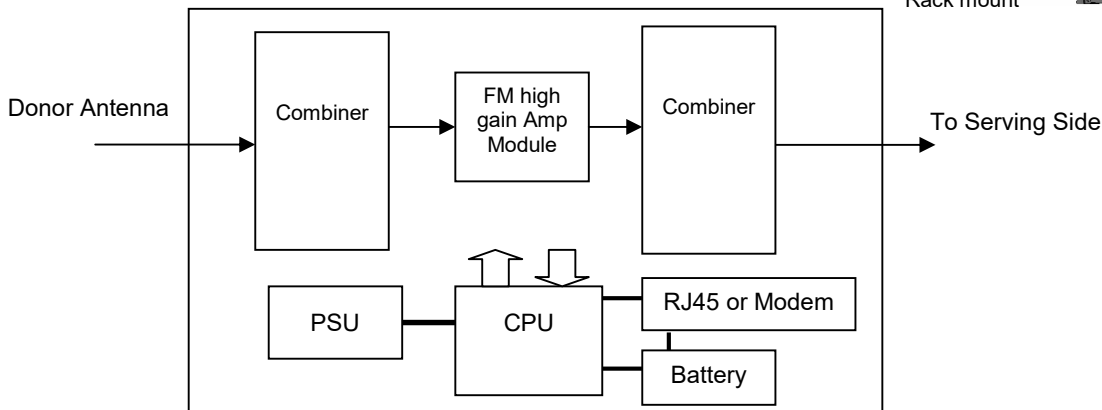


Wall mount



Rack mount

### Block diagram:



### Specifications

Frequency Range	87.5–108
Output Power	37±1.5dBm 40±1.5dBm 43±1.5dBm
Gain	90dB±3dB
Maximum Input	≤0dBm
Input Sensitivity	≥ -100dBm
Gain Adjustable Range	≥20dB@1dB per step
Frequency Error	≤±1kHz
Frequency Deviation	≤±2.5kHz
Intermodulation	≤-45dBc
Noise Figure	≤5dB
Transmission Delay	≤1μS
ALC	ΔPo≤±1 dBm
VSWR	≤1.5
Remote Control	Remote control/monitor/alarm by 1) RS232 (default) 2) RF Modem (Option SUN-FM-RFM) Ethernet (Option SUN-FM-ETH)
Alarm items	No AC Power, Module Failure, VSWR, Over Temperature, Downlink Over RF Power Downlink Low RF Power, Door Open (not for Rack mount)



### Power Supply and Mechanical Specifications

RF connector	N-Female connector/50Ω
Local LED	Power – GREEN, Alarm - RED
Power Supply	220VAC 45-60Hz
Dimension	550x440x235mm (wall mount) OR 4U, 19" rack mount, 500mm depth (option: SUN-FM-RACK)
Weight	N.W.33.5kg, G.W.36kg
Max. Power Consumption	≤300W
Heat Dissipation	≤260W
Operating Temperature	-25 to +55°C
Operating Humidity	≤95%
Cabinet Environment Rating	IP65 for wall mount, IP20 for rack mount
MTBF	≥50000 hours

### Ordering information:

<b>Model: SUN-FM-RP-P</b>	Confirm Maximum Downlink output power (P, dBm): <b>43, 40, 37</b>
<b>Options</b>	<u>SUN-FM-RACK</u> : Rack mount cabinet <u>SUN-FM-RFM</u> : Remote control by RF Modem (SMS) <sup>1</sup> <u>SUN-FM-ETH</u> : Remote control by Ethernet <sup>1</sup> <u>SUN-OMS</u> : Sunny Remote Control Software (Network management software) <sup>1</sup> need to order together with main unit <sup>1</sup> order either option only

Technical data are subjected to change without notice – File: SUN-FM-RP-P datasheet 2020V1.0