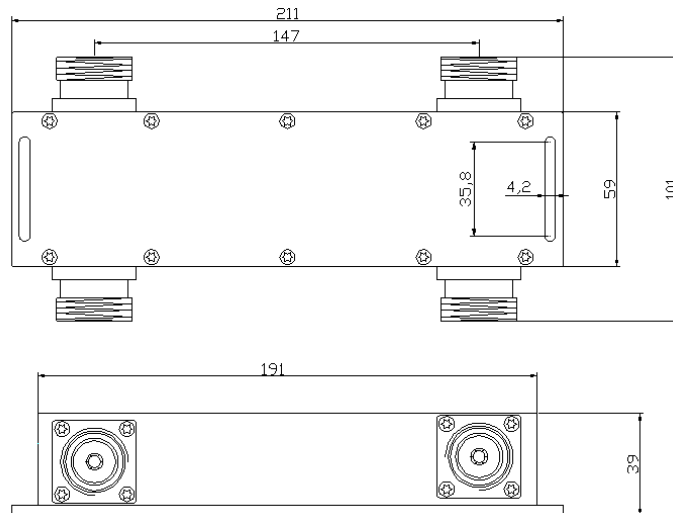




**Sunny, Low PIM Wide Band Hybrid Coupler, 350-2700MHz, 500W, DIN(F), -160dBc**

**Model : SUN-HC-327-500-3-DF-160**



<b>Model</b>	<b>SUN-HC-327-500-3-DF-160</b>
<b>Frequency Range</b>	350-2700MHz
<b>Insertion Loss (dB)</b>	≤1
<b>Coupling (dB)</b>	3.1
<b>Isolation between input ports (dB)</b>	≥19
<b>IM3 (dBc)</b>	≤-160@2x43dBm
<b>Power Rating (W)</b>	500
<b>VSWR</b>	≤1.35
<b>Impedance (Ω)</b>	50
<b>Temperature (°C)</b>	-35 ~ +75
<b>Humidity(%)</b>	5 ~ 95
<b>Environment</b>	IP67
<b>RF Connector</b>	DIN(F)
<b>Size (mm)*</b>	211x59x39
<b>Housing Material</b>	Aluminum
<b>Color</b>	Black

\* Not include connectors

Technical data are subjected to change without notice – File : SUN-HC-327-500-3-DF-160 datasheet 2017V1.0