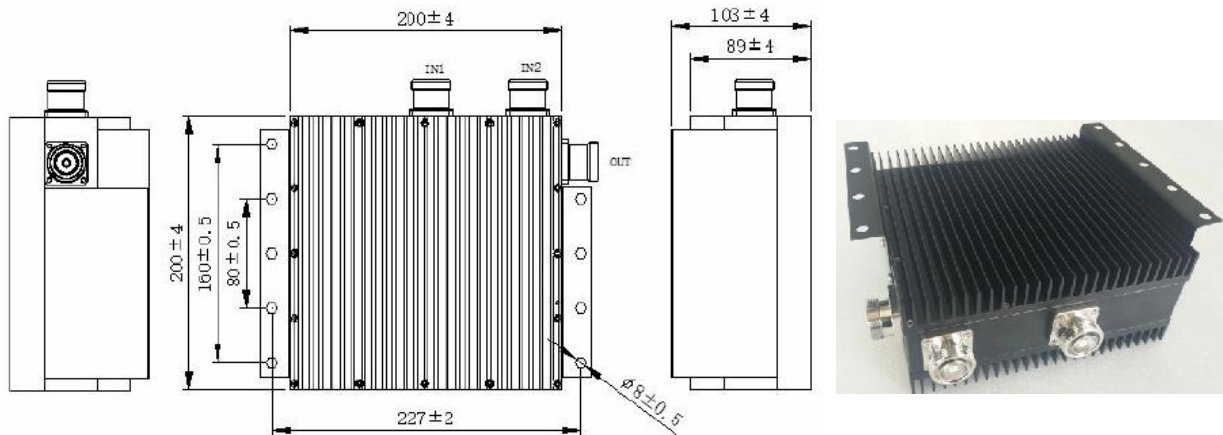




3dB POWER COMBINER FOR TETRA800/ CDMA800 / GSM900 / PCN1800 / UMTS / WLAN / Wimax / LTE

Model : SUN-PC-627-150-3-DIN(F)



Model	SUN-PC-627-150-3-DIN(F)
Frequency Range (MHz)	698-2700
Coupling (dB)	3.2±0.5
Insertion Loss(dB)	0.5
Isolation between input ports (dB)	23
Power Rating (W)	150W Per Port
VSWR	1.3
PIM	-153dBc @2x43dBm
Impedance (Ohm)	50
Temperature (deg)	-30~+65
RF Connector	DIN(F)
Weight (kg)	6.5
Size (mm)	200x200x103
Color	Black

Technical data are subjected to change without notice – File : SUN-PC-627-150-3-DIN(F) datasheet 2020V1.0