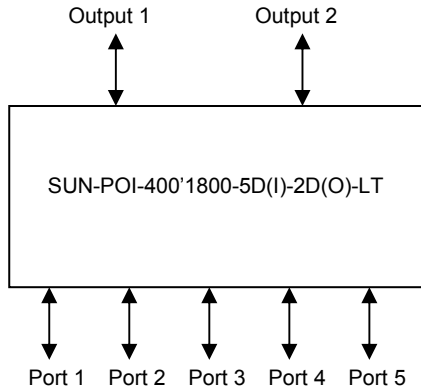




Sunny 400-1800MHz POI For LT

Model : SUN-POI-400'1800-5D(I)-2D(O)-LT

A) Block Diagram



B. Technical Specification

Model	SUN-POI-400'1800-5D(I)-2D(O)-LT
Frequency Per Input Port	
Port 1	342-358MHz
Port 2	380-400MHz
Port 3	410-430MHz
Port 4	440-460MHz
Port 5	1785-1805MHz
Total Power Per Port	100W
Insertion Loss	
Port 1 to Output 1	≤1.5dB
Port 2 to Output 1	≤1.5dB
Port 3 to Output 1	≤1.5dB
Port 4 to Output 1	≤1.5dB
Port 5 to Output 2	≤0.5dB
Return Loss	≥18dB
Isolation	
Port 1 <> Port 2, Port 3, Port 4	≥50dB
Port 2 <> Port 3, Port 4	≥50dB
Port 3 <> Port 4	≥50dB
Port 5 <> Port 1, Port 2, Port 3, Port 4	≥80dB
Mechanical	
Connectors	N(F)
Impedance	50Ω
Operating Temperature	-10 to 80°C
MTBF	200,000 hours
Material	Casing – Steel With Zinc Coating
Mounting	Wall Mount/Rack Mount
Dimensions (LxWxH)¹	TBAL
Weight	TBAL

Technical data are subjected to change without notice – File: SUN-POI-400'1800-5D(I)-2D(O)-LT 2016V1.0.doc