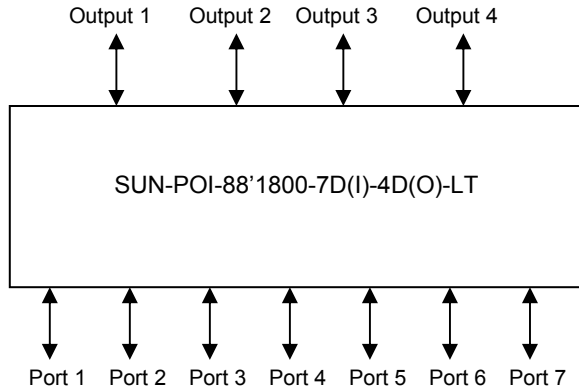




Sunny 88-1800MHz POI For LT

Model : SUN-POI-88'1800-7D(I)-4D(O)-LT

A) Block Diagram



B. Technical Specification

Model	SUN-POI-88'1800-7D(I)-4D(O)-LT
Frequency Per Input Port	
Port 1	88-108MHz
Port 2	136-174MHz
Port 3	220-352MHz
Port 4	380-400MHz
Port 5	430-440MHz
Port 6	342-358, 380-400, 410-430, 440-460MHz
Port 7	1785-1805MHz
Total Power Per Port	100W
Insertion Loss	
Port 1	≤8.0dB
Port 2	≤8.0dB
Port 3	≤8.0dB
Port 4	≤8.0dB
Port 5	≤8.0dB
Port 6	≤8.0dB
Port 7	≤8.0dB
Return Loss	≥18dB
Isolation	
Port 1 <> Port 2, Port 3, Port 4, Port 5, Port 6	≥60dB
Port 2 <> Port 3, Port 4, Port 5, Port 6	≥60dB
Port 3 <> Port 4, Port 5, Port 6	≥60dB
Port 4 <> Port 5	≥50dB
Port 4 <> Port 6	≥20dB
Port 5 <> Port 6	≥20dB
Port 7 <> All	≥70dB
Mechanical	
Connectors	N(F)
Impedance	50Ω
Operating Temperature	-10 to 80°C
MTBF	200,000 hours
Material	Casing – Steel With Zinc Coating
Mounting	Wall Mount/Rack Mount
Dimensions (LxWxH)	TBAL
Weight	TBAL

Technical data are subjected to change without notice – File: SUN-POI-88'1800-7D(I)-4D(O)-LT 2016V1.0.doc