



# PRODUCT DATA SHEET

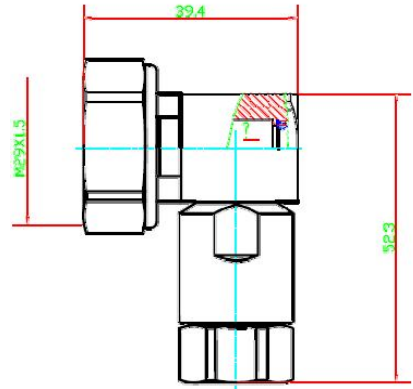
## Coaxial Cable Connector: DIN-MW1/2Sa

### Description

DIN(M) Right Angle Connector For 1/2" Superflex Cable

### Suitable standard

IEC 60169-4



### MATERIALS & PLATING

	Description	Material	Surface Plating	Remark
1	Shell/Body	BRASS	Tri Allory	
2	Centre Conductor	Phosphor bronze	Gold or Silver	
3	Insulator	PTFE		

### ELECTRICAL CHARACTERISTICS

	Item	Technical Data
1	Impedance	50Ω
2	Frequency range max	DC-3GHz
3	Dielectric Withstanding Voltage	≥ 4000V (RMS), 50MHz, at sea level
4	Contact Resistance	Center conductor ≤ 0.4mΩ, Outer conductor ≤ 1mΩ
5	Insulation Resistance	≥ 10000MΩ
6	VSWR	DC~3GHz <1.15

### MECHANICAL CHARACTERISTICS

1	Durability	≥ 500 cycles
---	------------	--------------

### ENVIRONMENTAL CHARACTERISTICS

1	Temperature range	Cable: - 40°C to +85 °C
---	-------------------	-------------------------