



# PRODUCT DATA SHEET

## Low PIM Coaxial Cable Connector: DIN/N-50MF-RA

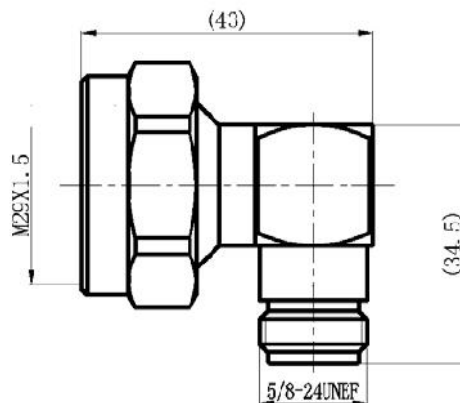
### Description

DIN(M) to N(F) Right Angle Adapter

### Suitable standard

IEC 60169-16 For N

IEC 60169-4 For DIN



### MATERIALS & PLATING

|   | Description      | Material        | Surface Plating | Remark |
|---|------------------|-----------------|-----------------|--------|
| 1 | Shell/Body       | Brass           | Tri Alloy       |        |
| 2 | Centre Conductor | Phosphor Bronze | Ag              |        |
| 3 | Insulator        | PTFE            |                 |        |
| 4 | Other            | Brass           | Ni              |        |

### ELECTRICAL CHARACTERISTICS

|   | Item                  | Technical Data    |
|---|-----------------------|-------------------|
| 1 | Impedance             | 50Ω               |
| 2 | Frequency range max   | DC-3GHz           |
| 3 | Insulation Resistance | ≥ 5000MΩ          |
| 4 | VSWR                  | DC~3GHz<1.1       |
| 5 | PIM3                  | ≤ -150dBc@2x43dBm |

### MECHANICAL CHARACTERISTICS

|   |            |              |
|---|------------|--------------|
| 1 | Durability | ≥ 500 cycles |
|---|------------|--------------|

### ENVIRONMENTAL CHARACTERISTICS

|   |                   |                         |
|---|-------------------|-------------------------|
| 1 | Temperature range | Cable: - 40°C to +85 °C |
|---|-------------------|-------------------------|