



# PRODUCT DATA SHEET

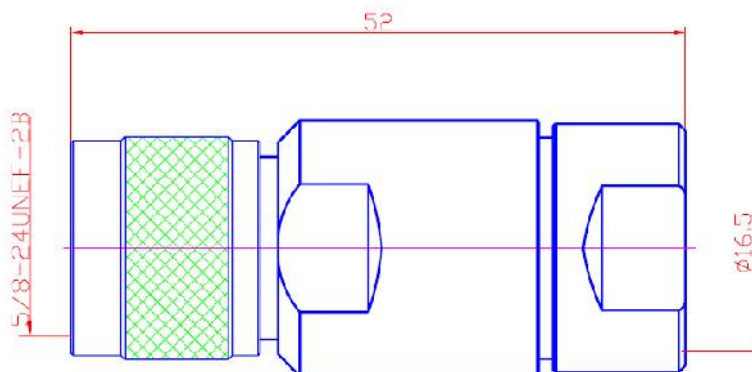
## Coaxial Cable Connector: N-J1/2-2

### Description

N(M) Connector For 1/2" Cable

### Suitable standard

IEC 60169-16



### MATERIALS & PLATING

	Description	Material	Surface Plating	Remark
1	Shell/Body	BRASS	Nickel or Tri Allory	
2	Centre Conductor	BRASS	Gold or Silver	
3	Insulator	PTFE		

### ELECTRICAL CHARACTERISTICS

	Item	Technical Data
1	Impedance	50Ω
2	Frequency range max	DC-3.5GHz
3	Dielectric Withstanding Voltage	2500V (RMS), 50MHz, at sea level
4	Contact Resistance	Center conductor $\leq 1m\Omega$ , Outer conductor $\leq 0.25m\Omega$
5	Insulation Resistance	$\geq 5000M\Omega$
6	VSWR	DC~3.5GHz $\leq 1.1$

### MECHANICAL CHARACTERISTICS

1	Durability	$\geq 500$ cycles
---	------------	-------------------

### ENVIRONMENTAL CHARACTERISTICS

1	Temperature range	Cable: - 40°C to +85 °C
---	-------------------	-------------------------