



PRODUCT DATA SHEET

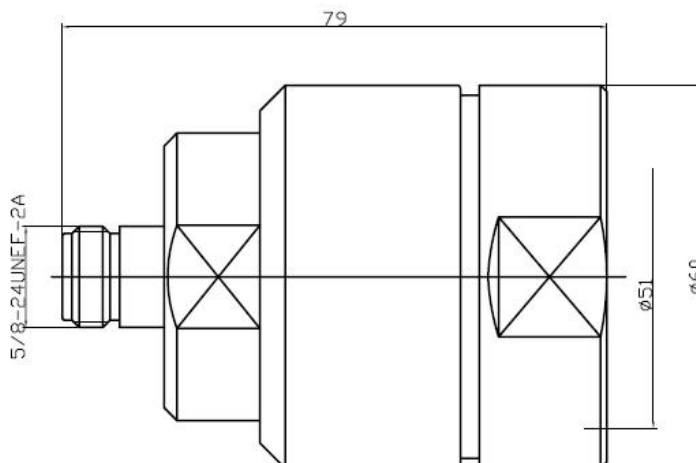
Coaxial Cable Connect: N-K1-5/8

Description

N(F) Connector for 1-5/8" Cable

Suitable standard

IEC 60169-16



MATERIALS & PLATING

	Description	Material	Surface Plating	Remark
1	Shell/Body	BRASS	Nickel or Tri-Allory	
2	Center Conductor	Phosphor branze	Gold or Silver	
3	Insulator	PTFE		

ELECTRICAL CHARACTERISTICS

	Item	Technical Data
1	Impedance	50Ω
2	Frequency range max	DC -3GHz
3	Contact Resistance	Center conductor ≤ 1mΩ, Outer conductor ≤ 0.25mΩ
4	Insulation Resistance	≥ 5000MΩ
5	VSWR	DC~3GHz ≤ 1.15

MECHANICAL CHARACTERISTICS

1	Durability	≥ 500 cycles
---	------------	--------------

ENVIRONMENTAL CHARACTERISTICS

1	Temperature range	Cable: - 40°C to +85 °C
---	-------------------	-------------------------