



PRODUCT DATA SHEET

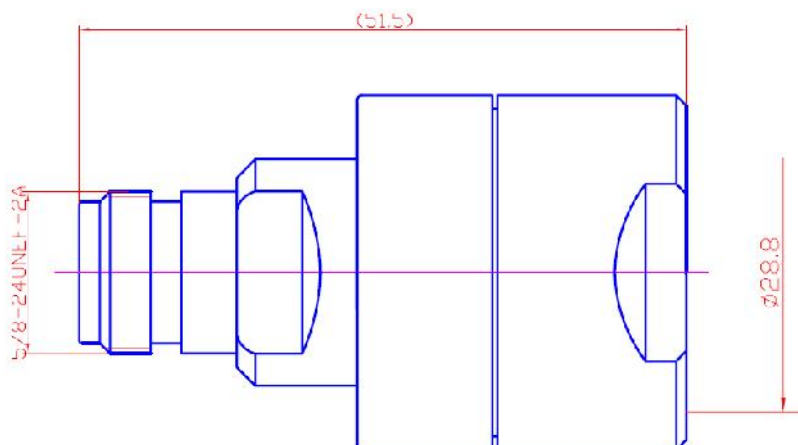
Coaxial Cable Connect: N-K7/8

Description

N(F) Connector for 7/8" Cable

Suitable standard

IEC 60169-16



MATERIALS & PLATING

	Description	Material	Surface Plating	Remark
1	Shell/Body	BRASS	Nickel or Tri-Alloy	
2	Center Conductor	Phosphor bronze	Gold or Silver	
3	Insulator	PTFE		

ELECTRICAL CHARACTERISTICS

	Item	Technical Data
1	Impedance	50 Ω
2	Frequency range max	DC - 3GHz
3	Contact Resistance	Center conductor $\leq 1\text{m}\Omega$, Outer conductor $\leq 0.25\text{m}\Omega$
4	Insulation Resistance	$\geq 5000\text{M}\Omega$
5	VSWR	DC~3GHz ≤ 1.1

MECHANICAL CHARACTERISTICS

1	Durability	≥ 500 cycles
---	------------	-------------------

ENVIRONMENTAL CHARACTERISTICS

1	Temperature range	Cable: - 40°C to +85 °C
---	-------------------	-------------------------