



PRODUCT DATA SHEET

Coaxial Cable Connector: N/SMA-50FM

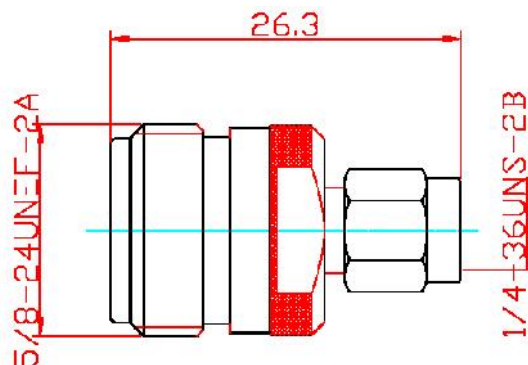
Description

N(F) to SMA(M) Adapter

Suitable standard

IEC 60169-15

IEC 60169-16



MATERIALS & PLATING

	Description	Material	Surface Plating	Remark
1	Shell/Body	BRASS	Ni	
2	Centre Conductor	Phosphor bronze	Gold or Silver	
3	Insulator	PTFE		

ELECTRICAL CHARACTERISTICS

	Item	Technical Data
1	Impedance	50Ω
2	Frequency range max	DC-3GHz
3	Dielectric Withstanding Voltage	≥ 4000V (RMS), 50Hz, at sea level
4	Insulation Resistance	≥ 10000MΩ
5	VSWR	DC~3GHz < 1.08

MECHANICAL CHARACTERISTICS

1	Durability	≥ 500 cycles
---	------------	--------------

ENVIRONMENTAL CHARACTERISTICS

1	Temperature range	Cable: - 40°C to +85 °C
---	-------------------	-------------------------