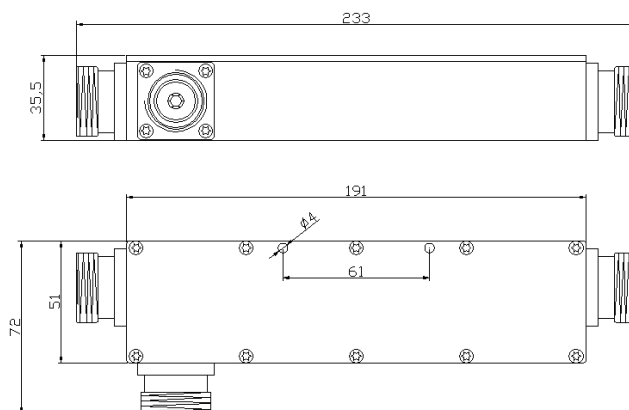




## **DIRECTIONAL COUPLER FOR TETRA400/CDMA800/GSM900&1800/UMTS/WLAN/LTE/WIMAX**

**Model : SUN-DC-327-500-YY-DF-160**

Where YY is 5, 6, 7, 10, 15, 20, 30 or 40dB



Model	SUN-DC-327-500-YY-DF-160							
Frequency	350-2700MHz							
Coupling (dB)	5±1.2	6±1.3	7±1.3	10±1.6	15±1.7	20±1.7	30±1.8	40±2.2
Insertion Loss (dB)	2.3	1.85	1.55	0.9	0.5	0.4	0.35	0.3
Isolation (dB)	≥20	≥22	≥23	≥26	≥30	≥32	≥42	≥50
VSWR	≤1.35:1							
IM3 (dBc)	-160@2x43dBm							
Power Capacity (W)	500							
RF Connector	DIN-female							
Impedance (Ω)	50							
Relative Humidity (%)	5 ~ 95							
Size (mm)	191x51x35.5*							
Temperature(°C)	-35 ~ +75							
Application	IP67							
Housing Material	Aluminum							
Color	Black							

\* Not include connectors

Technical data are subjected to change without notice – File : SUN-DC-327-500-YY-DF-160 datasheet 2017V1.0