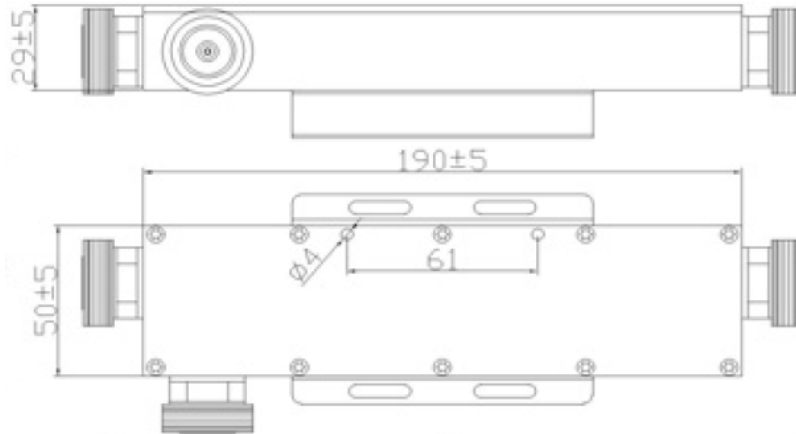




SUNNY -160dBc Low PIM Directional Coupler For TETRA400 / CDMA800 / GSM900&1800 / UMTS / WLAN / LTE / WIMAX, 350-3800MHz, 500W, 6-30dB, DIN(F)

Model: SUN-DC-338-500-YY-DF

Where YY is 6, 7, 10,15, 20 or 30dB



Model	SUN-DC-338-500-YY-DF					
Frequency	350-3800MHz					
Coupling (dB)	6±1.5	7±1.5	10±2	15±2.5	20±3	30±3.5
Insertion Loss (dB)	≤2.1	≤1.9	≤1.5	≤1.2	≤0.8	≤0.6
Isolation (dB)	≥22	≥23	≥26	≥30	≥35	≥43
VSWR	≤1.35					
IM3 (dBc@2x43dBm)	≤-160					
Power Capacity (W)	500					
RF Connector	DIN-female					
Impedance (Ω)	50					
Color	Black					
Temperature (°C)	-30~+65					
Application	Indoor or Outdoor IP65*					
Dimension WxLxH (mm)	50x190x29					
Weight(kg)	TBAL					

* Outdoor model is SUN-DC-338-500-YY-DF-WP

Technical data are subjected to change without notice – File : SUN-DC-338-500-YY-DF datasheet 2018V1.0