

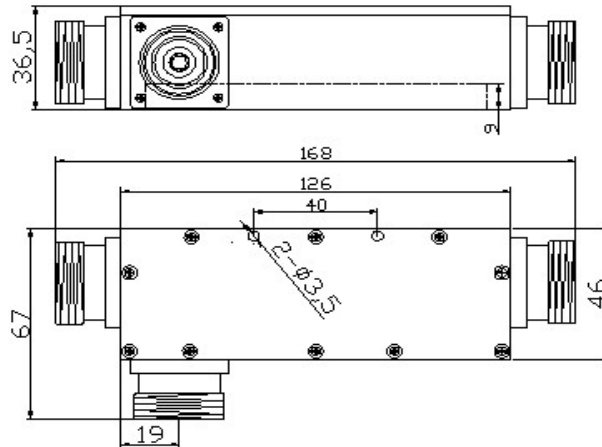


**Sunny -160dBc Low PIM Directional Coupler 698-2700MHz, 500W, DIN(F),
Indoor/Outdoor**

Model : SUN-DC-627-500-XX-DF

Where

XX is Coupling value – 5, 6, 7, 8, 10, 13, 15, 20, 30



Model	SUN-DC-627-500-XX-DF									
Frequency Range (MHz)	698-2700MHz									
Coupling (dB)	5	6	7	8	10	13	15	20	30	
Insertion Loss (dB)	≤2	≤1.75	≤1.45	≤1.3	≤0.8	≤0.8	≤0.5	≤0.4	≤0.4	
Accuracy (dB)	±0.8	±0.8	±0.8	±0.8	±1.0	±1.0	±1.0	±1.2	±1.5	
Isolation (dB)	≥25	≥26	≥27	≥28	≥28	≥31	≥32	≥35	≥45	
Power Rating (W)	500									
VSWR	≤ 1.3									
Impedance (Ohm)	50									
PIM (dBc@2X43dBm)	≤-160									
Temperature (°C)	-20 ~ 70									
Humidity (%)	5 ~ 95									
Environment	Indoor or Outdoor (IP65)*									
RF Connector	DIN(F)									
Weight (kg)	0.90									
Size (mm)	168x67x36.5									
Color	Black									

* Outdoor Model: SUN-DC-627-500-XX-DF-WP

Technical data are subjected to change without notice – File : SUN-DC-627-500-XX-DF 2017V1.0