

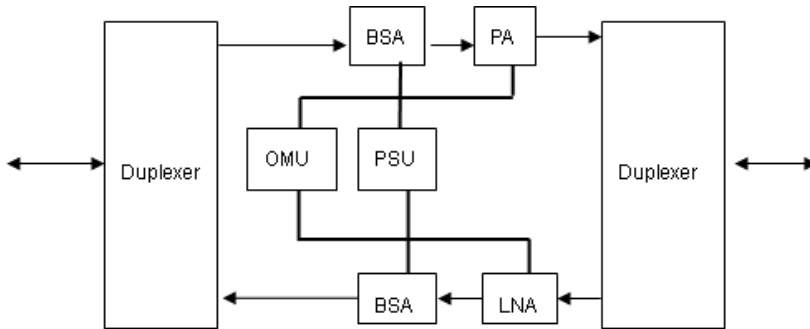


Sunny Line Amplifier – LTE2600 Full Band 20/40W

Model: SUN-LA-L26 -FB-XX

Where XX is 20 or 40

System Diagram:



Electrical Specifications

Item	Specification		
	Downlink		Uplink
Frequency Range	2620-2690MHz		2500-2570MHz
Output Power (Max.)	43±2dBm	46±2dBm	0±2dBm
Gain (Max.)	45±3dB	48±3dB	45±3dB (48±3dB for 40W model)
Max. input without damage	10dBm		-10dBm
NF	--		≤5dB
Gain Adjustable Range/Step	≥30dB/1dB		
Gain Adjustable Linear	≤1.0dB @0~20dB ≤1.5dB @21-30dB		
Ripple	≤2dB (10MHz)		
Downlink 3 rd Order Intercept, OIP3	≥62dBm	≥65dBm	--
ALC	Input Signal add 20dB ΔPo≤±1		
VSWR	≤1.5		
Time Delay	≤5.0μs		
Spurious Emission	Complies with 3GPP TS 21.143		
Spectrum Mask	Complies with 3GPP TS 21.143		
ACLR	Complies with 3GPP TS 21.143		

Power Supply and Mechanical Specifications

Power Supply	AC220V(50Hz)/AC110V(60Hz)
Dimension	500mm*440mm*230mm
Weight	≤30kg
Max. Power Consumption	≤300W
Operating Temperature	-25~+55℃
Operating Humidity	≤95%
Environmental Class	IP65
RF Connector	N-Female, 50ohm
MTBF	≥100000 hours
Monitor Interface	Local Monitor: RS232 Remote Monitor: UMTS modem

Technical data are subjected to change without notice – File: SUN-LA-L26-FB-XX datasheet 2016V1.0