

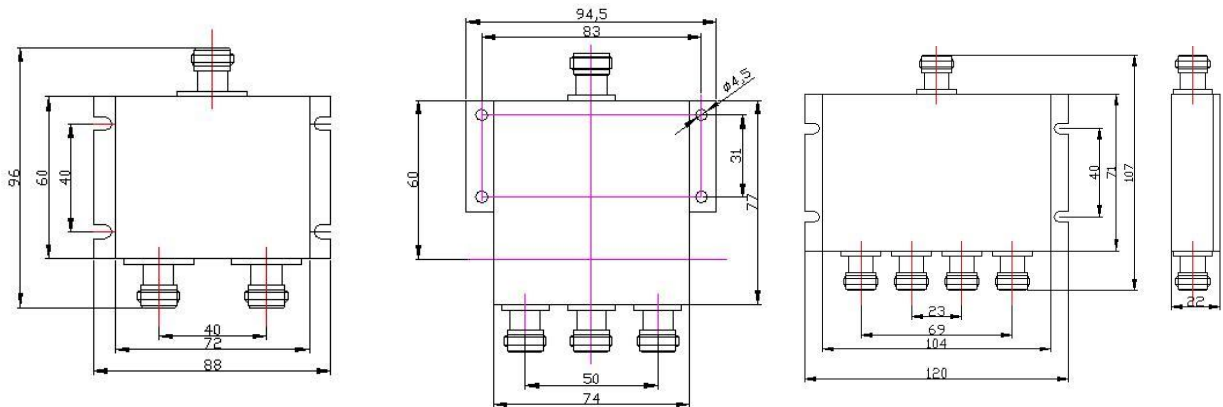


**POWER SPLITTER FOR TETRA800/CDMA800/GSM900/PCN1800/UMTS/WLAN/LTE**

**Model : SUN-PS-627-50-Y-N(F)**

Where

Y is Number of Ways (dB) – 2,3,4



Model	SUN-PS-627-50-Y-N(F)		
Frequency Range (MHz)	698-2700MHz		
Number Of Ways	2	3	4
Insertion Loss (dB)	≤3.5	≤5.5	≤6.6
Isolation (dB)	≥20	≥18	≥17
Power Rating (W)	50		
VSWR	≤1.3		
Impedance (Ohm)	50		
RF Connector	N(F)		
Application	Indoor		
Color	Black-plated		
Operating Temperature (°C)	-35~+60		
Relative Humidity (%)	-5~95		

Technical data are subjected to change without notice – File: SUN-PS-627-50-Y-N(F) datasheet 2017V1.0