

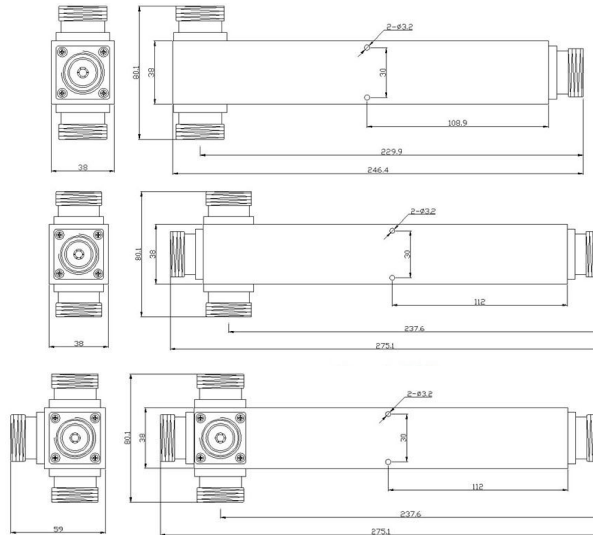


Sunny -160dBc Low PIM Power Splitter 698-2700MHz, 500W, DIN(F), Outdoor

Model : SUN-PS-627-500-X-DF

Where

X is Number of Ways – 2,3,4



Model	SUN-PS-627-500-X-DF		
Frequency Range (MHz)	698-2700MHz		
Number Of Ways	2	3	4
Total Loss (Port to Port Loss)*	≤3.3	≤5.3	≤6.5
Power Rating (W)	500		
VSWR	≤ 1.3	≤ 1.35	≤ 1.35
Impedance (Ohm)	50		
PIM (dBc@2X43dBm)	≤-160		
Temperature (°C)	-35 ~ 60		
Humidity (%)	5 ~ 95		
Environment	Outdoor IP65		
RF Connector	DIN(F)		
Size (mm)	246.4x80.1x38	275.1x80.1x38	275.1x80.1x59
Color	Black		

*Total loss is Split Loss + Insertion Loss

Technical data are subjected to change without notice – File : SUN-PS-627-500-X-DF 2017V1.0