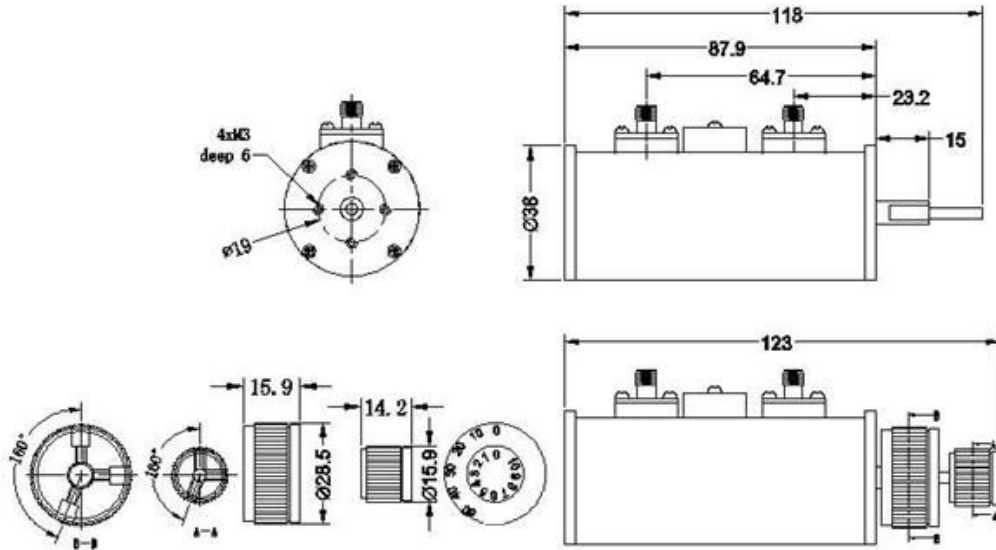




Sunny, Rotary Step Attenuator, 2W, 90dB, SMA(F)

Model : SUN-RSA-2-90-SMA(F)



Model	SUN-RSA-2-90-SMA(F)
Frequency	DC-2.7GHz
Attenuation (dB)	0-90 (1/Step)
Accuracy	±1dB or 4%
Insertion Loss (dB)	≤1.5
VSWR	≤1.5
Power (W)	2
Impedance (Ω)	50
Connector	SMA(F)
Dimension (mm)	Ø38x123
Temperature (°C)	-55 to +85

Technical data are subjected to change without notice – File: SUN-RSA-2-90-SMA(F) datasheet 2017V1.0